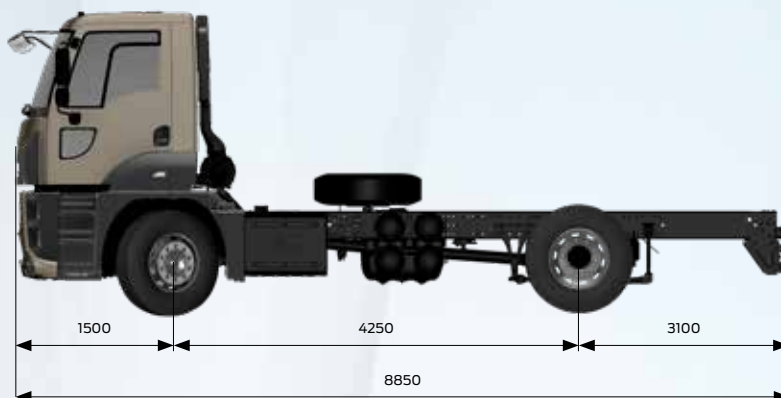
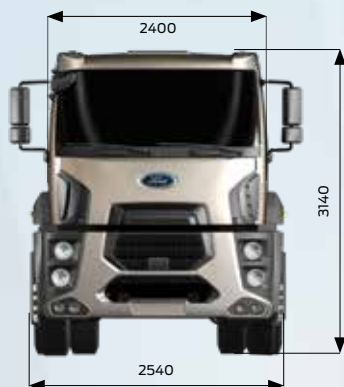


FORD TRUCKS 1833 DC EURO6



Basic Features

Vehicle Type	Light Road Truck
Axle	4x2
Emission	Euro 6
Cabin Type	Day Cab
Wheelbase (mm)	4250

Engine

Type	Ecotorq 9 liters
Displacement (cc)	8974
Diameter x Stroke	115 mm x 144 mm
Power	330 PS (243 kW) @ 1900 rpm
Torque	1300 Nm @ 1200-1700 rpm
Compression Ratio	17,6 : 1
Oil Filling Volume	30 L
Coolant Volume	35 L

Transmission

Clutch	430 mm Single Disc
Manuel Transmission / Ratios (1. gear - 9. gear)	9+1 Speed (9,48 - 0,75)

Steering

Power assisted single circuit

Chassis

Chassis Thickness	7 mm
Chassis Strength	355 MPa
Suspension (Front/Rear)	Parabolic Leaf Spring / Multi-Leaf Spring
Axle	Standard Single Reduction
Axle Ratio	3,7
Tyres	12 R 22,5
Wheel Rim	22,5 x 9 Steel

Braking System

Brakes (Front/Rear) (Ø.mm x mm. Length)	430 x 45 - Disc Brake
Braking System	Dual Brake Circuit, Air Processing Unit With Integrated Oil Separator and Heater
Engine Brake Power	max 220 kW (Engine Level)

Electrical System

Battery	24V, 2 x 12V 150 Ah
Alternator / Starter Motor	130 A / 6,5 kW

Tanks

Fuel Tank	350 L Aluminium
SCR Tank	55 L



Sharing the load

Dimensions (mm)

Front Overhang	1500
Wheelbase	4250
Overall Length	8850
Overall Cab Length	1820
Overall Vehicle Height	3140
Overall Vehicle Width (Excluding Mirrors)	2540
Chassis Width	866
Rear Overhang	3100
Useful Chassis Length	6580
Chassis Height - Front	225
Chassis Height - Rear	285
Ground Clearance Front	385
Ground Clearance Rear	359
Turning Radius	8400

Weights (kg)	1. Axle	2. Axle	Total
Technically Permissible Weights	7100	12600	19000
Kerb Weight	4449	2395	6844
Payload	2651	10205	12156

STANDARD EQUIPMENT

- Air Conditioner
- Radio/CD/MP3 Player
- Cruise Control
- Disc Brake
- Engine Brake
- Electronic Brake System (EBS) and Anti-Lock Brake System (ABS)
- Electronic Stability Control (ESP)
- Lane Departure Warning System (LDWS)
- Hill Launch Assist
- Differential Lock
- Electrically Operated Windows
- Electrically Operated and Heated Side Mirrors
- Electrically Operated Headlight Leveling
- Rake and Reach Adjustable Steering Column
- Heated and Air Suspended Driver Seat
- Advanced Emergency Braking System (AEBS)
- Lumbar Support
- Brake Lining Wear Sensor
- Immobilizer
- Single Key with Remote Control and Central Locking
- Home Safe Light
- Approach Light
- Front Fog Lamps
- Digital Tachograph
- Spare Wheel

OPTIONAL EQUIPMENT

- Residual Collection Pack
- Firefighter Pack
- Clutch Dependent PTO & Interior Control Unit
- Engine Driven PTO & Interior Control Unit **
- ADR
- Cold Climate Pack
- Auxiliary Cabin Heater (Wet Type)
- Power Cab Tilting
- Metallic Paint/Special Colors
- 4750 mm Wheelbase Option
- 5500 mm Wheelbase Option
- Vertical Exhaust *
- Rear Air Suspension Package *** - Axle Load Indicator, 315/60 Wheel and 4,11 FDR or 315/80 Wheel and 4,63 FDR
- Dual Passenger Seat
- 3,5T Towing Capability
- 10T Towing Capability with 4,63 FDR
- 8T Front Axle Technical Capacity (Available with 315/80 R22,5 Tyres) (except 5500 WB)
- Rear Window
- Manually operated sunroof
- Rain Sensor
- Auto Light Sensor****

* Available for Residual Collection Pack only.

** Available for Residual Collection & Fire Fighters Pack.

*** Not available for 4750mm Wheelbase Option.

**** Available with Rain Sensor