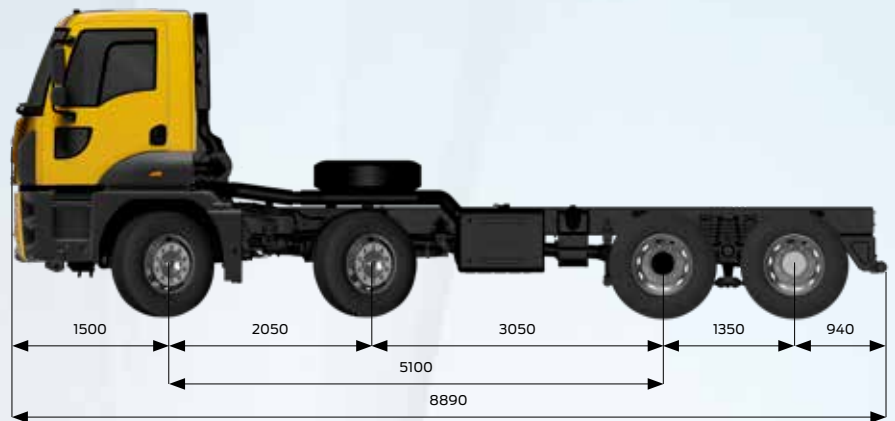


FORD TRUCKS 4142M EURO6



Basic Features

Vehicle Type	Mixer
Axle	8x4
Emission	Euro 6
Cabin Type	Day Cab
Wheelbase (mm)	5100

Engine

Type	Ecotorq 12,7 liters
Displacement (cc)	12740
Bore x Stroke	130 mm x 160 mm
Power	420 PS (308,9 kW) / 1800 rpm
Torque	2150 Nm / 1000-1300 rpm
Compression Ratio	17 +/- 0,5 : 1
Oil Filling Volume	50 L
Coolant Volume	37 L (57 L with Intarder)

Transmission

Clutch	430 mm Single Disc
Manuel Transmission / Ratios (1. gear - 16. gear)	ZF 16S 2230 (13,805-0,836)
Automated Transmission / Ratios (1. gear - 12. gear)	ZF 12 TX 2210 (16,688-1)

Steering

Power assisted single circuit

Chassis

Chassis Thickness	10 mm with Local Reinforcement
Chassis Strength	500 MPa
Suspension (Front / Rear)	90 mm Parabolic Leaf Springs / 100 mm Parabolic Tandem Suspension
Axle	Hub Reduction
Axle Ratio (Manual / Automatic)	4,08 / 3,57
Tyres	315/80 R 22,5
Wheel Rim	22,5 x 9 Steel

Braking System

Brakes (Ø mm x mm Length)	430 x 45 - Disc Brakes
Braking System	Dual Brake Circuit - Air Processing Unit with Integrated Oil Separator and Heater
Engine Brake Power	max. 340 kW (Engine Level)
Intarder Power	max. 600 kW / continuous 160 kW

Electrical System

Battery	24V, 2 x 12V 150 Ah
Alternator / Starter Motor	130 A / 6,5 kW

Tanks

Fuel Tank	315 L Steel
SCR Tank	55 L



Sharing the load

Dimensions (mm)					
Front Overhang	1500				
Wheelbase	5100				
Overall Length	8890				
Distance Between 1 st and 2 nd Wheel Centers	2050				
Distance Between 2 nd and 3 th Wheel Centers	3050				
Distance Between 3 th and 4 th Wheel Centers	1350				
Overall Cab Length	1820				
Overall Vehicle Height	3200				
Overall Vehicle Width (Excluding Mirrors)	2540				
Chassis Width	770				
Rear Overhang	940				
Useful Chassis Length	6525				
Chassis Height - Front	225				
Chassis Height - Rear	285				
Ground Clearance - Front	581				
Ground Clearance - Rear	315				
Turning Radius	10640				
Weights (kg)	1. Axle	2. Axle	3. Axle	4. Axle	Total
Technically Permissible Weights	8000	8000	13400	13400	41000
Kerb Weight	3445	3476	2093	2001	11015
Payload	4555	4524	11307	11399	29985
GVM (Legal)	8000	8000	9500	9500	32000

STANDARD EQUIPMENT

- Manuel Air conditioner
- AM/FM/Aux In/USB/Bluetooth
(Radio with Bluetooth)
- 4 Points Independent Cab Suspension for Day Cab
- Engine Driven PTO & Interior Control Unit
- Cruise Control
- Engine Brake
- Disc Brake
- Electrically Operated Windows
- Electrically Operated and Heated Side Mirrors
- Electrically Operated Headlamp Leveling
- Rake and Reach Adjustable Steering Column
- Heated and Air Suspended Driver Seat
- Lumbar Support
- Anti-lock Brake System (ABS)
- Continuous Wear Sensor
- Immobilizer
- Single Key with Remote Control and Central Locking
- Home Safe
- Approach Lights
- Differential Lock
- Digital Tachograph
- Rear Window **
- Front Towing Hooks (Double Hook)
- Ventilation Roof
- Short Bumper

OPTIONAL EQUIPMENT

- Transmission Direct (Single Gear) PTO with Flange
(includes Power Take off Control Unit)
- Transmission Direct (Single Gear) PTO without Flange
(includes Power Take off Control Unit)
- Transmission Offset (Double Gear) PTO without Flange
(includes Power Take off Control Unit)
- Transmission Direct (Double Gear) PTO with Flange
(includes Power Take off Control Unit)
- Automated Transmission (with Normal Mode, Off-Road Mode, Rocking Mode)
- Intarder
- ADR Pack
- Wet Type Cab Heater
- Auxiliary Cabin Heater (Wet Type)
- Cold Pack with Dry & Wet Type Cab Heater and 225 Ah Battery*
- Switchable Air Compressor for Improved Fuel Economy
- Transmission Driven PTO Options & Interior Control Unit
- Rubber Suspension (28T)**
- Front and Rear Vehicle Antiroll Bars
- Dual Passenger Seat*
- Lateral Protection
- Manually Operated Sunroof
- Automatic Traction Control (ATC)

* Not available with Low Roof Sleeper cab version.

** 241 kg lighter compared to standard suspension vehicle.