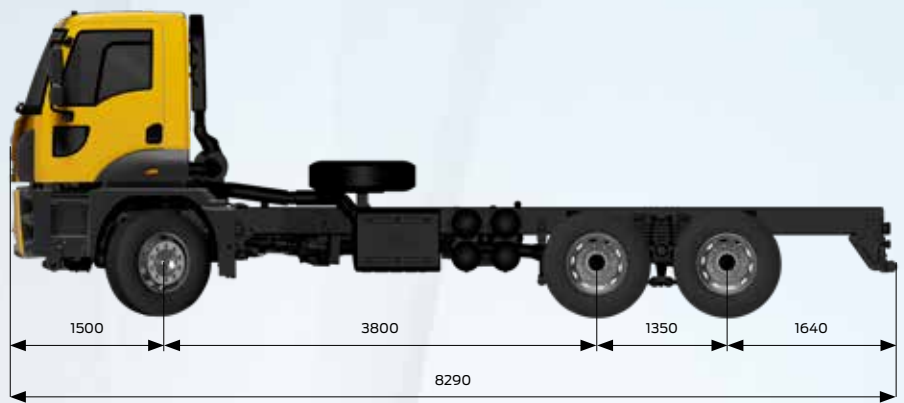


# FORD TRUCKS 3542M EURO6



## Basic Features

Vehicle Type	Mixer
Axle	6x4
Emission	Euro 6
Cabin Type	Day Cab
Wheelbase (mm)	3800

## Engine

Type	Ecotorq 12,7 liters
Displacement (cc)	12740
Bore x Stroke	130 mm x 160 mm
Power	420 PS (308,9 kW) / 1800 rpm
Torque	2150 Nm / 1000-1300 rpm
Compression Ratio	17 +/- 0,5 : 1
Oil Filling Volume	50 L
Coolant Volume	37 L (57 L with Intarder)

## Transmission

Clutch	430 mm Single Disc
Manuel Transmission / Ratios (1. gear - 16. gear)	ZF 16S 2230 (13,805-0,836)
Automated Transmission / Ratios (1. gear - 12. gear)	ZF 12 TX 2210 (16,688-1)

## Steering

Power Assisted Single Circuit

## Chassis

Chassis Thickness	10 mm with Local Reinforcement
Chassis Strength	500 MPa
Suspension (Front / Rear)	90 mm Parabolic Leaf Springs / 100 mm Parabolic Tandem Suspension
Axle	Hub Reduction
Axle Ratio	4,08 / 3,57
Tyres	315/80 R 22,5
Wheel Rim	22,5 x 9 Steel

## Braking System

Brakes (Ø mm x mm length)	430 x 45 - Disc Brakes
Braking System	Dual Brake Circuit - Air Processing Unit with Integrated Oil Separator and Heater
Engine Brake Power	max. 340 kW (Engine Level)
Intarder Power	max. 600 kW / continuous 160 kW

## Electrical System

Battery	24V, 2 x 12V 150 Ah
Alternator / Starter Motor	130 A / 6,5 kW

## Tanks

Fuel Tank	315 L Steel
SCR Tank	55 L



Sharing the load

<b>Dimensions (mm)</b>	
Front Overhang	1500
Wheelbase	3800
Overall Length	8290
Distance Between 2 <sup>nd</sup> and 3 <sup>th</sup> Wheel Centers	1350
Overall Cab Length	1820
Overall Vehicle Height	3168
Overall Vehicle Width (Excluding Mirrors)	2540
Chassis Width	770
Rear Overhang	1640
Useful Chassis Length	5935
Chassis Height-Front	225
Chassis Height-Rear	285
Ground Clearance-Front	450
Ground Clearance-Rear	370
Turning Radius	8790

<b>Weights (kg)</b>	<b>1. Axle</b>	<b>2. Axle</b>	<b>3. Axle</b>	<b>Total</b>
Technically Permissible Weights	8000	13400	13400	34800
Kerb Weight	5150	2426	2211	9787
Payload	2850	10974	11189	25013
GVM (Legal )	7500	9500	9500	26000

### STANDARD EQUIPMENT

- Air Conditioner
- AM/FM/Aux In/USB/Bluetooth (Radio with Bluetooth)
- 4 Points Independent Cab Suspension for Day Cab
- Engine Driven PTO & Interior Control Unit
- Cruise Control
- Engine Brake
- Disc Brake
- Electrically Operated Windows
- Heated and Electrically Operated Side Mirrors
- Electrically Operated Headlamp Leveling
- Rake and Reach Adjustable Steering Column
- Electrically Operated and Heated Side Mirrors
- Lumbar Support
- Front and Rear Vehicle Antiroll Bars
- Anti-Lock Brake System (ABS)
- Continuous Wear Sensor
- Immobilizer
- Single Key with Remote Control and Central Locking
- Home Safe Light
- Approach Light
- Differential Lock
- Digital Tachograph
- Front Towing Hooks (Double Hook)
- Oil Pan Protection
- Ventilation Roof
- Short Bumper

### OPTIONAL EQUIPMENT

- Transmission Offset (Double Gear) PTO without Flange (includes Power Take off Control Unit)
- Transmission Direct (Double Gear) PTO with Flange (includes Power Take off Control Unit)
- Automated Transmission (with Normal Mode, Off-Road Mode, Rocking Mode)
- Intarder
- ADR Pack
- Low Roof Sleeper Cab with Single Bed
- Auxiliary Cabin Heater (Wet Type)
- Cold Pack with Wet Type Cab Heater and 225 Ah Battery
- Cold Pack with Dry & Wet Type Cab Heater
- Power Cab Tilting
- Switchable Air Compressor for Improved Fuel Economy
- Transmission Driven PTO Options & Interior Control Unit
- Rubber Suspension (28T)\*
- Manually Operated Sunroof
- Dual Passenger Seat
- Automatic Traction Control (ATC)

\* 206kg lighter compared to standard suspension vehicle.