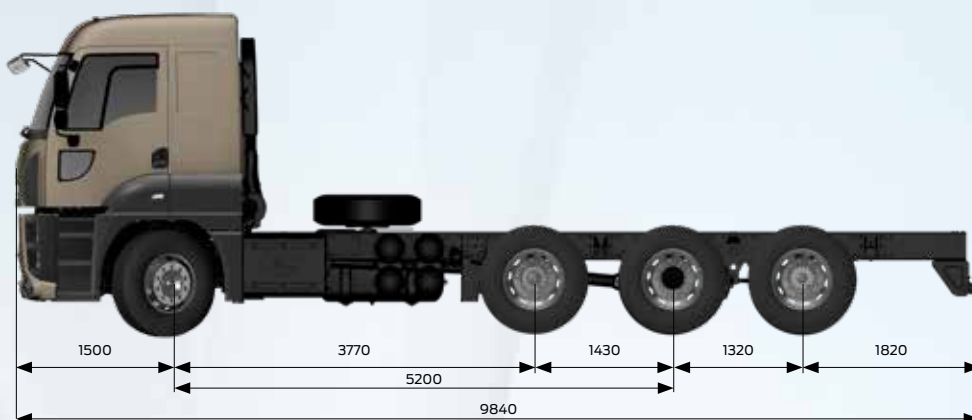
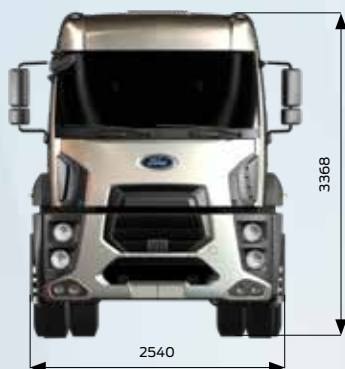


# FORD TRUCKS 3242S HR EURO6



## Basic Features

Vehicle Type	Road Truck
Axle	8x2
Emission	Euro 6
Cabin Type	High Roof Sleeper Cab
Wheelbase (mm)	5200

## Engine

Type	Ecotorq 12,7 litre
Displacement (cc)	12740
Diameter x Stroke	130 mm x 160 mm
Power	420 PS (308,9 kW) / 1800 rpm
Torque	2150 Nm / 1000-1300 rpm
Compression Ratio	17 +/- 0,5 : 1
Oil Filling Volume	50 L
Coolant Volume	37 L (57 L with Intarder)

## Transmission

Clutch	430 mm Single Disc
Automated Transmission / Ratios (1. gear - 12. gear)	ZF 12 TX 2210 (16,688 - 1)

## Steering

Power assisted single circuit

## Chassis

Chassis Thickness	7 mm with Reinforcement
Chassis Strength	355 MPa
Suspension (Front/Rear)	Parabolic Leaf Spring / Compensating Arm Mechanical Suspension
Axle	Standard Single Reduction
Axle Ratio	3,08
Tyres (Front/Rear)	315/80 R 22,5
Wheel Rim	22,5 x 9 Steel

## Braking System

Brakes (Front/Rear) (Ø.mm x mm. Length)	430 x 45 Disc Brake
Braking System	Dual Brake Circuit - Air Processing Unit with Integrated Oil Separator and Heater
Engine Brake Power	max. 340 kW (Engine Level)
Intarder Power	max. 600 kW / continuous 160 kW

## Electric System

Battery	180 Ah
Alternator / Starter Motor	130 A / 6,5 kW

## Tanks

Fuel Tank	550 L Aluminium
SCR Tank	78 L



Sharing the load

Dimensions (mm)					
Front Overhang	1500				
Wheelbase	5200				
Overall Length	9840				
Distance Between 1 <sup>st</sup> and 2 <sup>nd</sup> Wheel Centers	3770				
Distance Between 2 <sup>nd</sup> and 3 <sup>th</sup> Wheel Centers	1430				
Distance Between 3 <sup>th</sup> and 4 <sup>th</sup> Wheel Centers	1320				
Overall Cab Length	2305				
Overall Vehicle Height	3368				
Overall Vehicle Width (Excluding Mirrors)	2540				
Chassis Width	866				
Rear Overhang	1820				
Useful Chassis Length	7200				
Chassis height-Front	225				
Chassis height-Rear	285				
Ground clearance-Front	355				
Ground clearance-Rear	367				
Turning Radius	10700				
Weights (kg)	1. Axle	2. Axle	3. Axle	4. Axle	Total
Technically Permissible Weights	7100	7100	12600	10400	32000
Kerb Weight	5399	1668	1907	1293	10267
Payload	1701	5432	10693	9107	21733
GVM (legal)	7100	7100	9500	8500	32000

### STANDARD EQUIPMENT

- Air Conditioner
- AM/FM/Aux In/USB/Bluetooth (Radio with Bluetooth)
- Auxiliary Cabin Heater (Dry Type)
- 4 Points Independent Cab Suspension for Day Cab
- Automated Transmission (with Normal Mode, Power Mode, Rocking Mode)
- Cruise Control
- Engine Brake
- Disc Brake
- Differential Lock
- Electronic Brake System (EBS) and Anti-Lock Brake System (ABS)
- Hill Launch Assist
- Electrically Operated Windows
- Electrically Operated and Heated Side Mirrors
- Electrically Operated Headlight Leveling
- Rake and Reach Adjustable Steering Column
- Heated and Air Suspended Driver Seat
- Lumbar Support
- Manually Operated Sunroof
- Continuous Wear Sensor
- Immobilizer
- Single Key with Remote Control and Central Locking
- Home Safe Light
- Approach Light
- Front and Rear Fog Lamps
- Digital Tachograph
- Spare Wheel
- Tag Axle Lifting (Auto Drop Function)
- Optional Equipments
- Front and Rear Vehicle Antiroll Bars
- Electronic Brake Force Control
- Medium Bumper
- Oil Pan Protection

### OPTIONAL EQUIPMENT

- Cold pack (Includes Dry Type Heater and 225 Ah Battery)
- Cold pack (Includes Wet Type Heater and 225 Ah Battery)
- Cold Pack (Includes Dry Type Heater, Wet Type Heater and 225 Ah Battery)
- Firefighter Pack
- Transmission Offset (Double Gear) PTO without Flange (includes Power Take off Control Unit)
- Transmission Direct (Double Gear) PTO with Flange (includes Power Take off Control Unit)
- Engine Driven PTO & Interior Control Unit
- ADR Pack
- RCV Pack
- Cold Climate Pack
- Auxiliary Cabin Heater (Wet Type)
- Power Cab Tilting
- Metallic Paint / Special Colors
- RHS Free 5900 Wheelbase Option \*
- Rain Sensor (available with auto light sensor)
- Intarder
- Front Towing Hooks (Double Hook)
- Rear Towing Cross Member
- 8T Front Axle Technical Capacity

\* Available with ADR and 250lt LHS Fuel Tank